



Verve



VITA

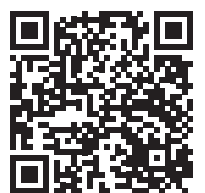
This line of HDPE pill containers is available in 100 ml and 150 ml formats and is fitted with a PFP 35 anti-tamper evident cap.

AVAILABLE IN WHITE



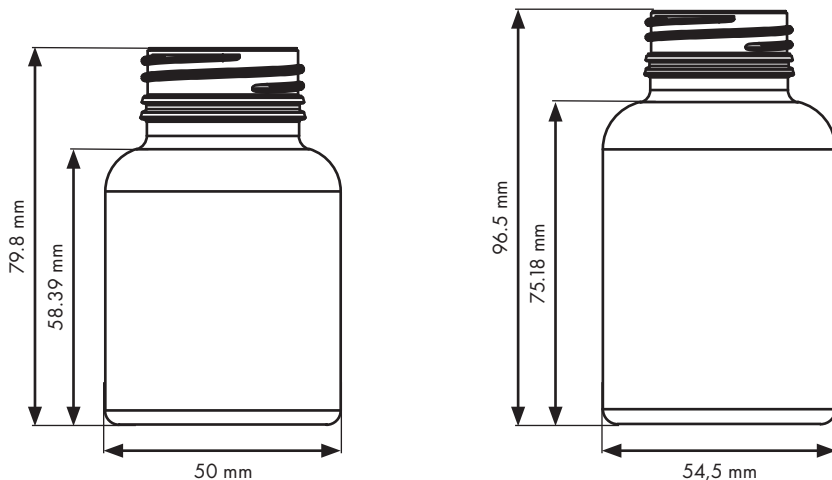
100 ml

150 ml



AUGMENTED REALITY

Scan this QR CODE with your enabled smartphone or tablet and view these products in AR



TECHNICAL INFORMATION

CODE: F-0734-00

SIZE:

100 ml

MATERIAL:

Green-PE, PE, PP, R-PE

NECK:

PFP 35

SECTION:

Circular

WIDTH:

50 mm

HEIGHT:

79.8 mm

WEIGHT:

14 g

FOOD GRADE:

Yes

DECORATIONS:

Silk screen printing, Hot stamp printing

CODE: F-0735-00

SIZE:

150 ml

MATERIAL:

Green-PE, PE, PP, R-PE

NECK:

PFP 35

SECTION:

Circular

WIDTH:

54.5 mm

HEIGHT:

96.5 mm

WEIGHT:

19 g

FOOD GRADE:

Yes

DECORATIONS:

Silk screen printing, Hot stamp printing

ACCESSORIES



ANTI-TAMPER EVIDENT CAP



Verve

VERVE SPA

Via Venegono, 57
21040 Veduggio Olona (VA), Italia
Telefono: +39 0332 400497
Fax: +39 0332 401465

www.vervespa.it

induPlast
PACKAGING GROUP



www.induplastgroup.com